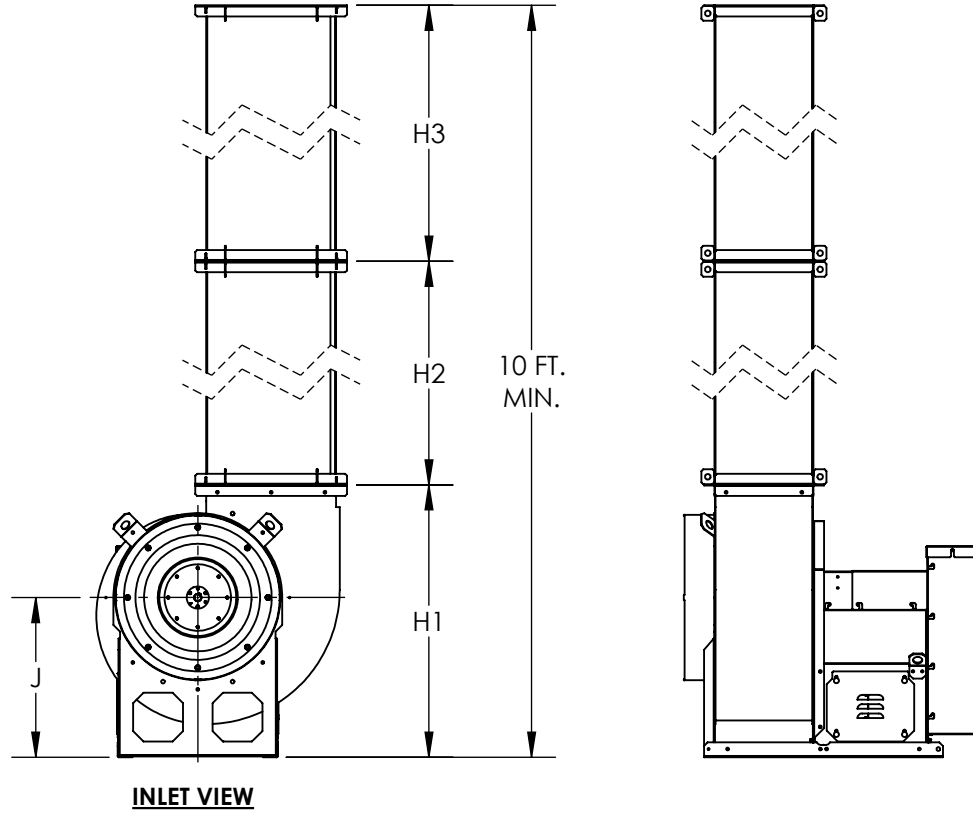




DATE: TAG:
 JOB:
 PROJECT:
 COMPANY:
 SALES PERSON:

UTILITY VENT SET FAN
 UVS2, CLASS 1 AND 2, AR.10, OUTLET STACK



DIMENSIONAL DATA

SIZE	H1	H2	H3	J	WT. (lbs)	
					ALUMINIUM	STEEL
60	29.56	45.13	45.13	18.00	2 X 12	2 X 31
70	29.56	45.13	45.13	18.00	2 X 12	2 X 31
80	29.56	45.13	45.13	18.00	2 X 12	2 X 31
105	29.56	45.13	45.13	18.00	2 X 12	2 X 31
122	31.25	44.38	44.38	18.00	2 X 14	2 X 35
135	32.38	43.81	43.81	18.38	2 X 20	2 X 38
150	34.50	42.75	42.75	20.00	2 X 21	2 X 41
165	36.13	41.94	41.94	21.63	2 X 23	2 X 44
182	38.13	40.69	40.69	23.63	2 X 24	2 X 48
200	41.75	39.13	39.13	25.75	2 X 26	2 X 57
222	46.00	37.00	37.00	28.25	2 X 34	2 X 71
245	50.25	34.88	34.88	30.75	2 X 35	2 X 74
270	55.25	32.38	32.38	33.75	2 X 36	2 X 77
300	61.50	27.81	27.81	37.63	2 X 35	2 X 76
330	67.25	52.75	-	41.00	1 X 68	1 X 136
365	74.00	46.00	-	45.00	1 X 66	1 X 134
402	81.25	38.75	-	49.25	1 X 63	1 X 134
445	89.75	30.25	-	54.25	1 X 56	1 X 124
490	98.25	21.75	-	59.25	1 X 46	1 X 109
542	108.25	11.75	-	65.25	1 X 31	1 X 87

STANDARD CONSTRUCTION:

1. Aluminum construction with lifting lugs (not to lift entire fan).
2. One piece stack for sizes 330 thru 542.
3. Use of guy wires is required. Guy wires to be specified by consulting engineer.
4. Stacks will be shipped loose.

ALL DIMENSIONS ARE IN INCHES, ALL WEIGHTS ARE APPROXIMATE

REVISION:

FORM:

REPLACES: